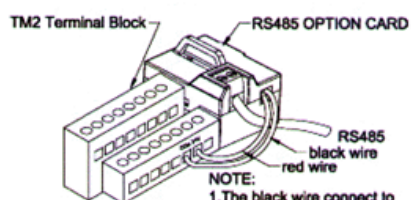
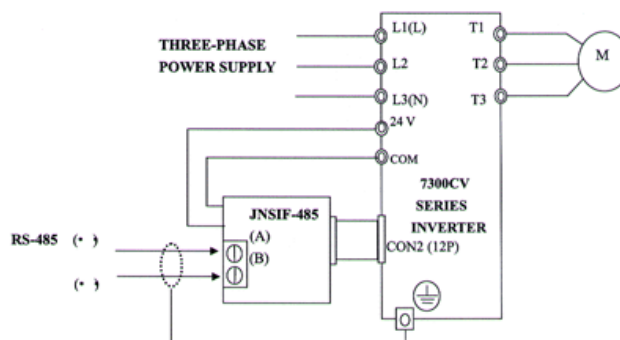


Varenummer: 10596485  
Beskrivelse: RS-485 modul type JNSIF-485  
til Teco 7300 CV

## Mål



JNSIF-485 Wiring Diagram • •



- **Note:**  
Please put on the cover of inverter to avoid the Interface Card disturbed by outside static electricity.  
Please using isolated RS232 / RS485 converter to link PC and interface card to avoid damage equipment.

Note = Se monteringsvejledning